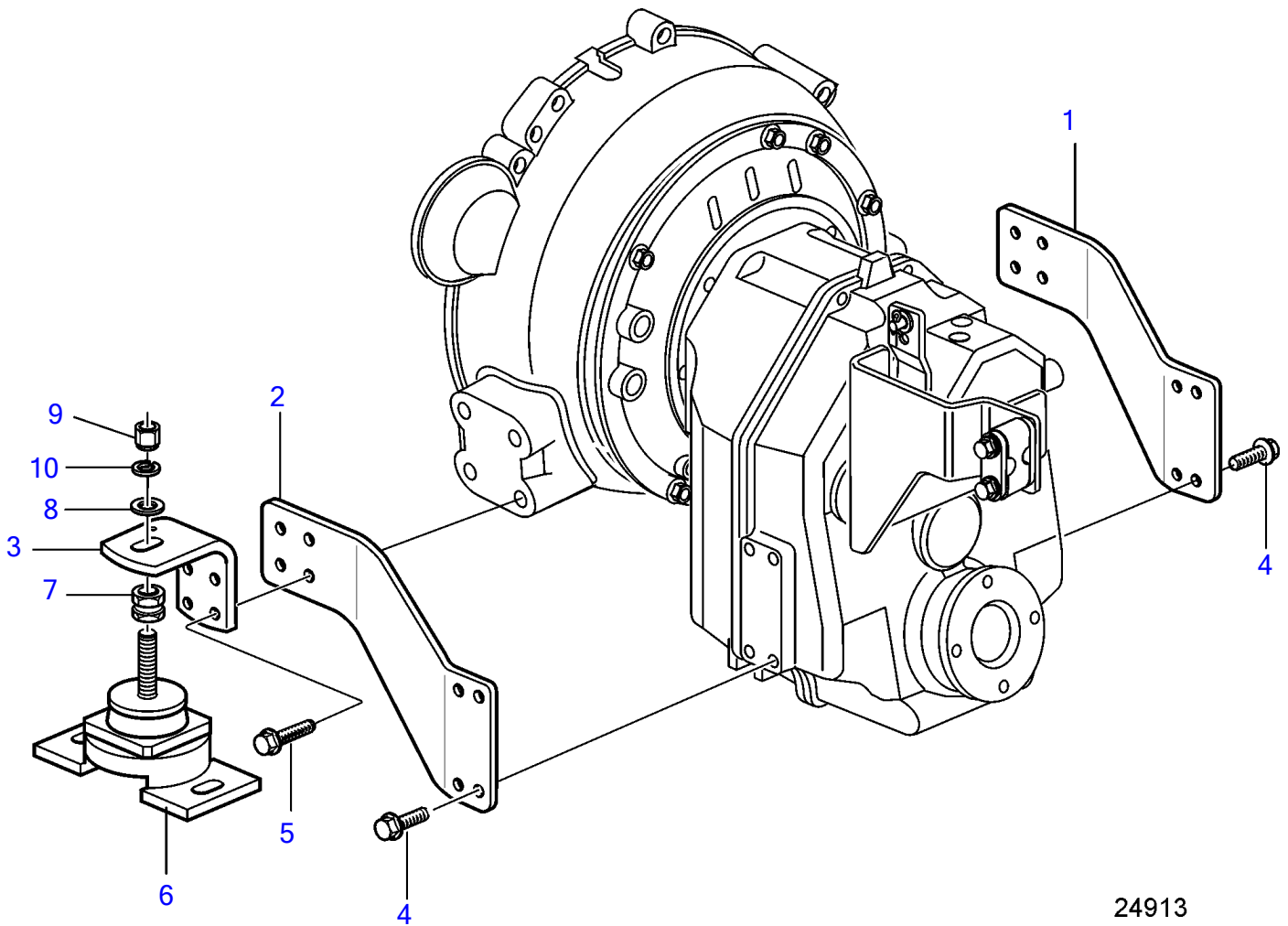


D3-110I-D, D3-110I-E, D3-110I-F, D3-140I-E, D3-140I-F, D3-150I-D, D3-150I-E, D3-150I-F, D3-170I-D, D3-170I-E, D3-170I-F, D3-200I-D, D3-200I-E, D3-200I-F, D3-220I-D, D3-220I-E, D3-220I-F



D3-110I-D, D3-110I-E, D3-110I-F, D3-140I-E, D3-140I-F, D3-150I-D, D3-150I-E, D3-150I-F, D3-170I-D, D3-170I-E, D3-170I-F, D3-200I-D, D3-200I-E, D3-200I-F, D3-220I-D, D3-220I-E, D3-220I-F

REF	PART NO.	QTY	DESCRIPTION	NOTES
1	3817416	1	Bracket	
2	3817414	1	Bracket	
3	21317599	2	Engine bracket	
4	965191	8	Flange screw	M12x30mm
5	990811	8	Flange screw	M12x55mm
6	3842098	2	Rubber cushion	
7	3826709	2	Adjusting sleeve	
8	994873	2	Washer	
9	990962	2	Flange lock nut	